

6

5

4

3

2

1

D

D

C

C

B

B

A

A

6

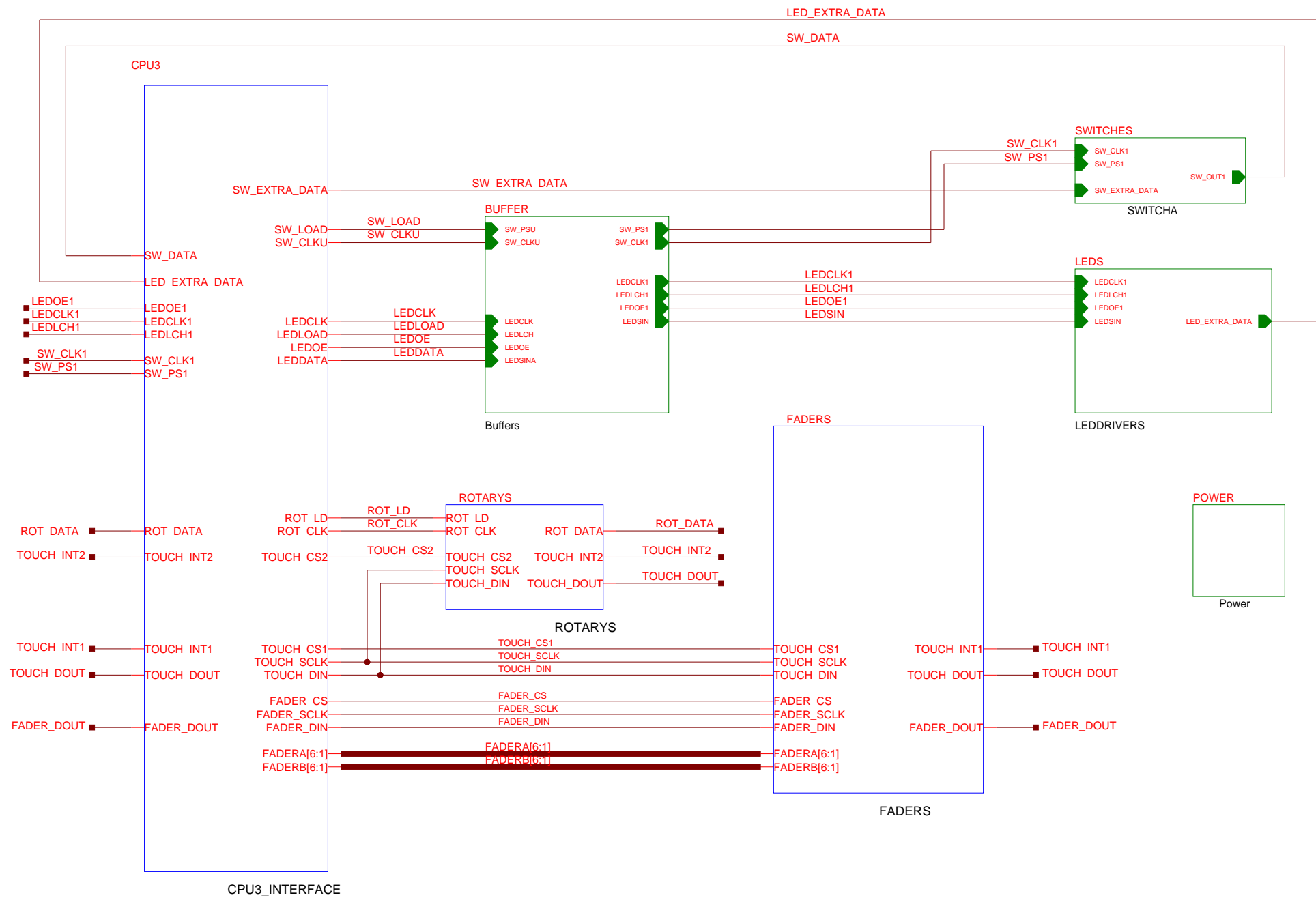
5

4

3

2

1



| | | | |
|---|----------|-----------------|--------------|
|  Fairlight AU Pty. Ltd. Unit 3, 15 Rodborough Rd Frenchs Forest, NSW, 2086, Australia | | TITLE | |
| | | <h1>DFP2</h1> | |
| SIZE | DWG NO | REV | |
| A3 | BMIX552C | C | |
| DRAWN BY RLS | | SCALE | SHEET 1 of 1 |
| | | 3-21-2017_17:22 | |

6 5 4 3 2 1

D

C

B

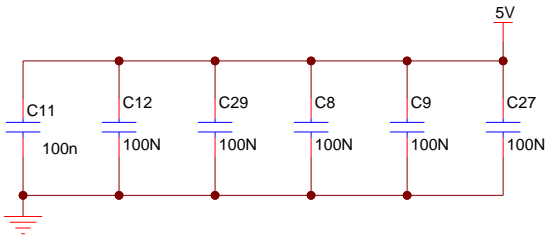
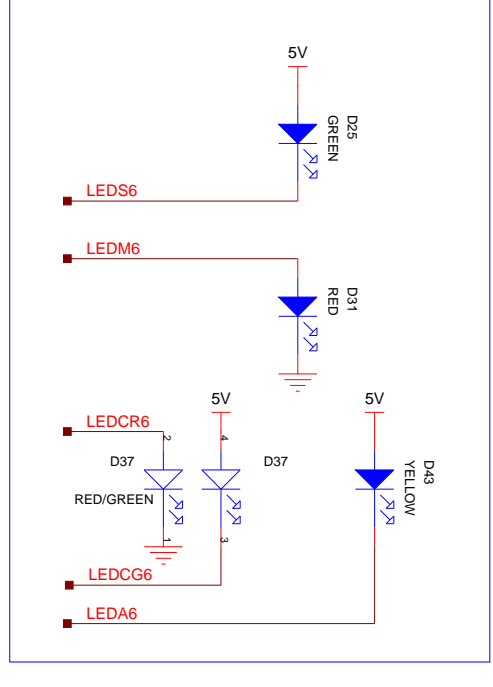
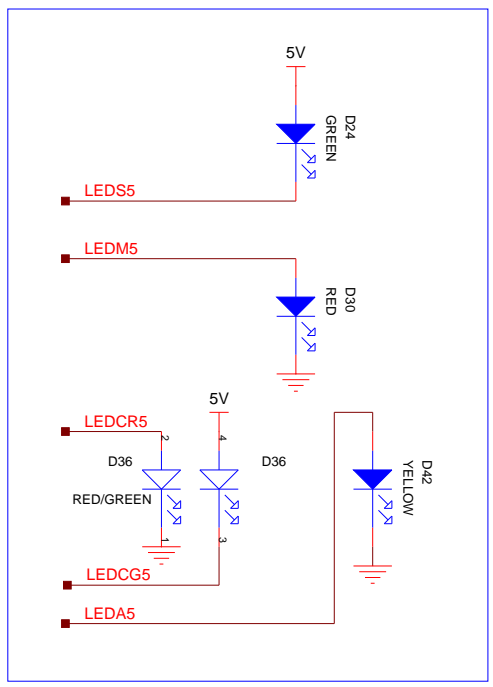
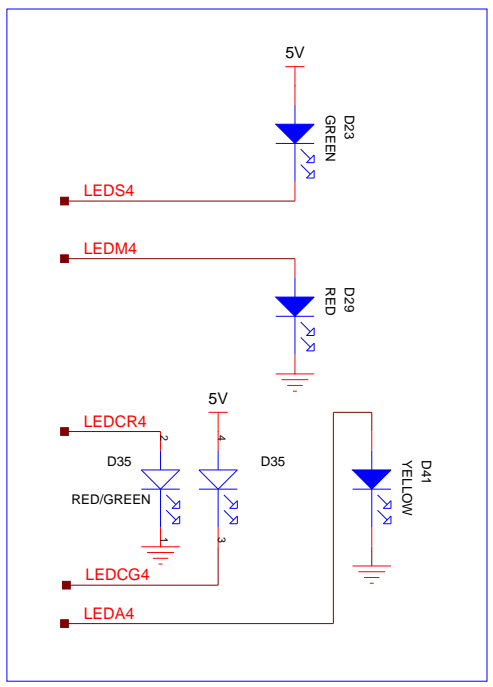
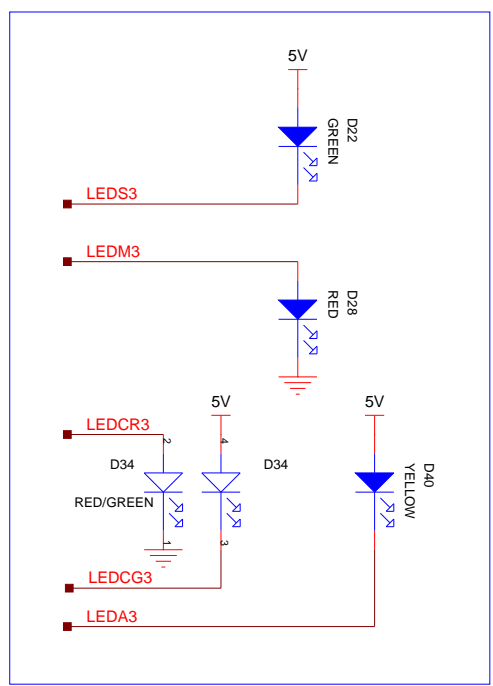
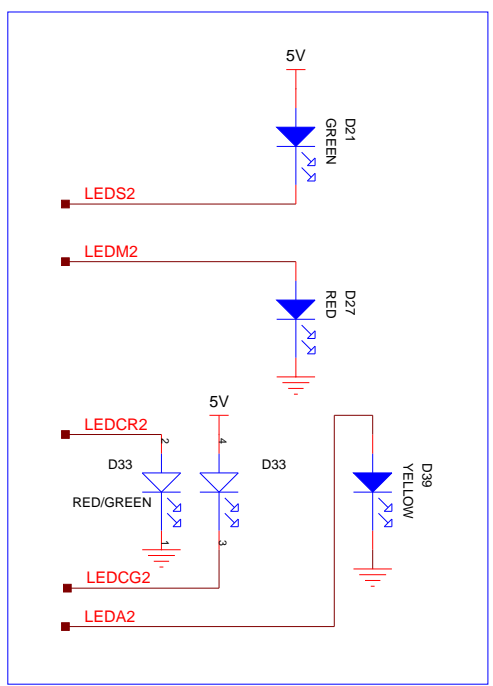
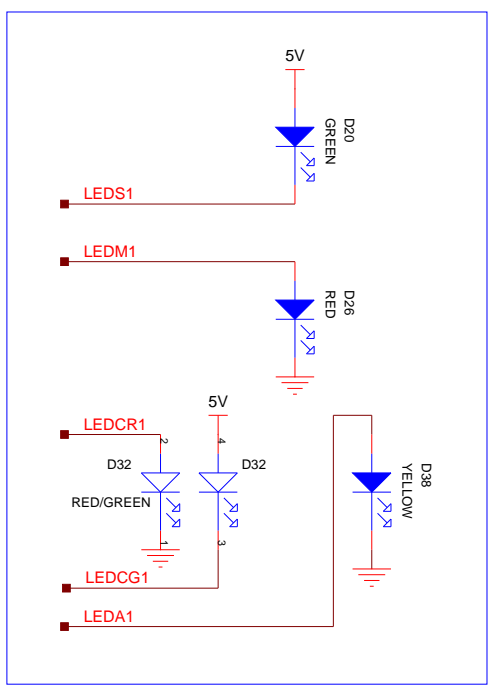
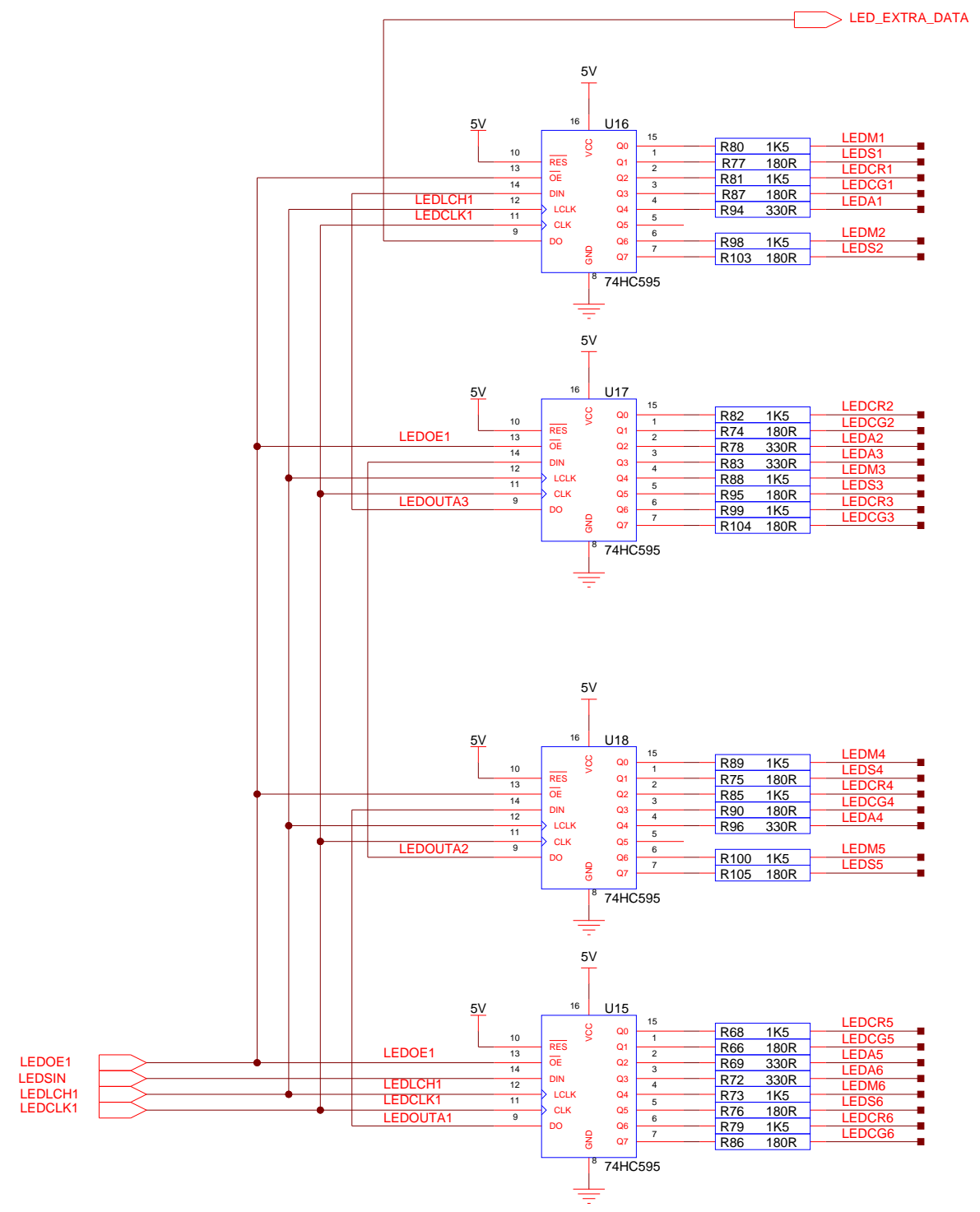
A

D

C

B

A



F Fairlight AU Pty. Ltd.
 Unit 3, 15 Rodborough Rd
 Frenchs Forest, NSW, 2086, Australia

FAIRLIGHT

TITLE

LEDDRIVERS

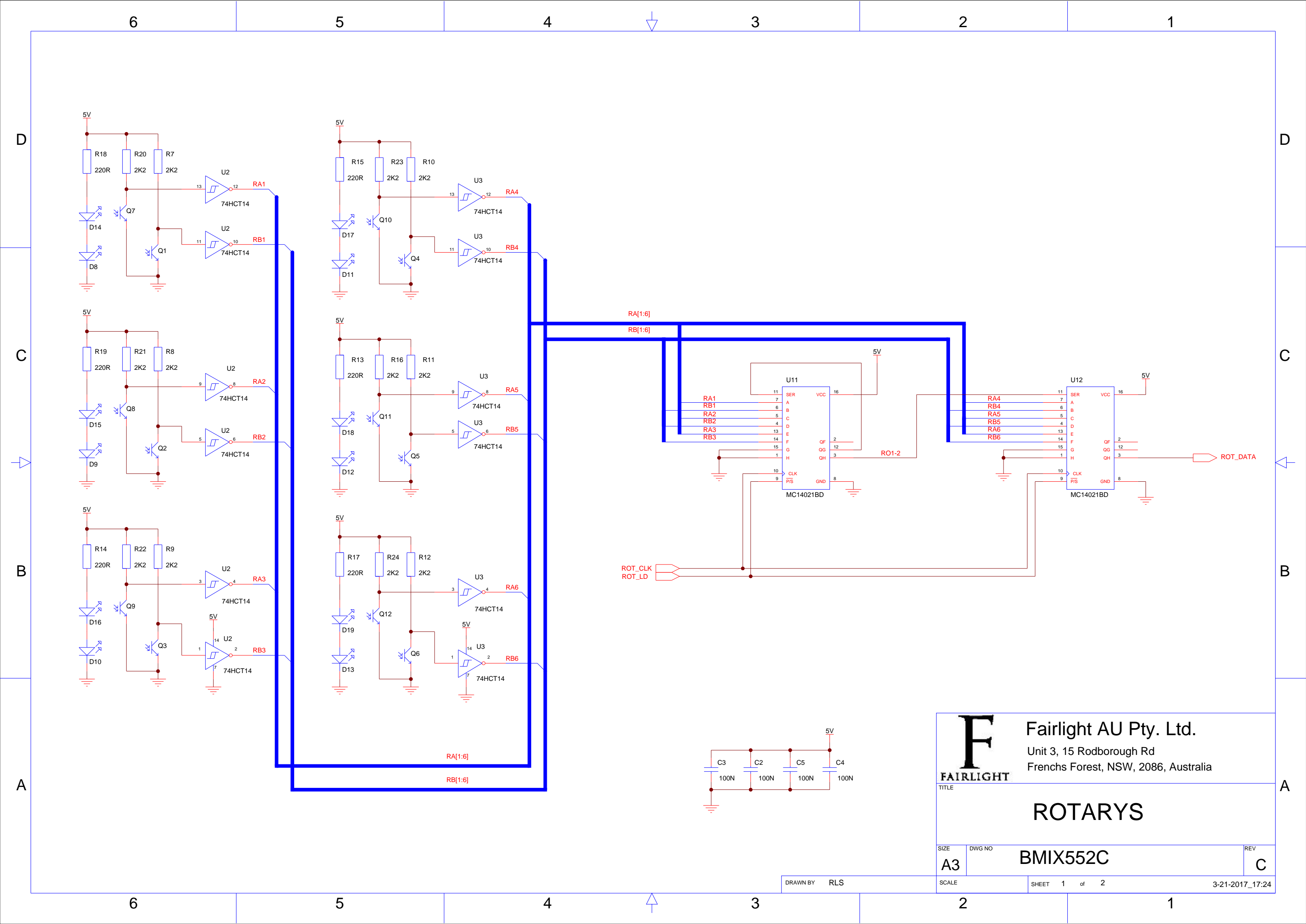
SIZE DWG NO. REV

A3 **BMIX552C** **C**

SCALE SHEET 1 of 1 3-21-2017_17:24

DRAWN BY RLS

6 5 4 3 2 1



F Fairlight AU Pty. Ltd.
 Unit 3, 15 Rodborough Rd
 Frenchs Forest, NSW, 2086, Australia

ROTARYS

| | | |
|------|----------|-----|
| SIZE | DWG NO | REV |
| A3 | BMIX552C | C |

DRAWN BY RLS
 SCALE SHEET 1 of 2
 3-21-2017_17:24

6

5

4

3

2

1

D

D

C

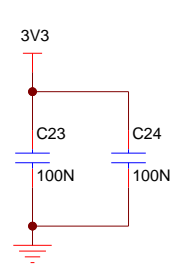
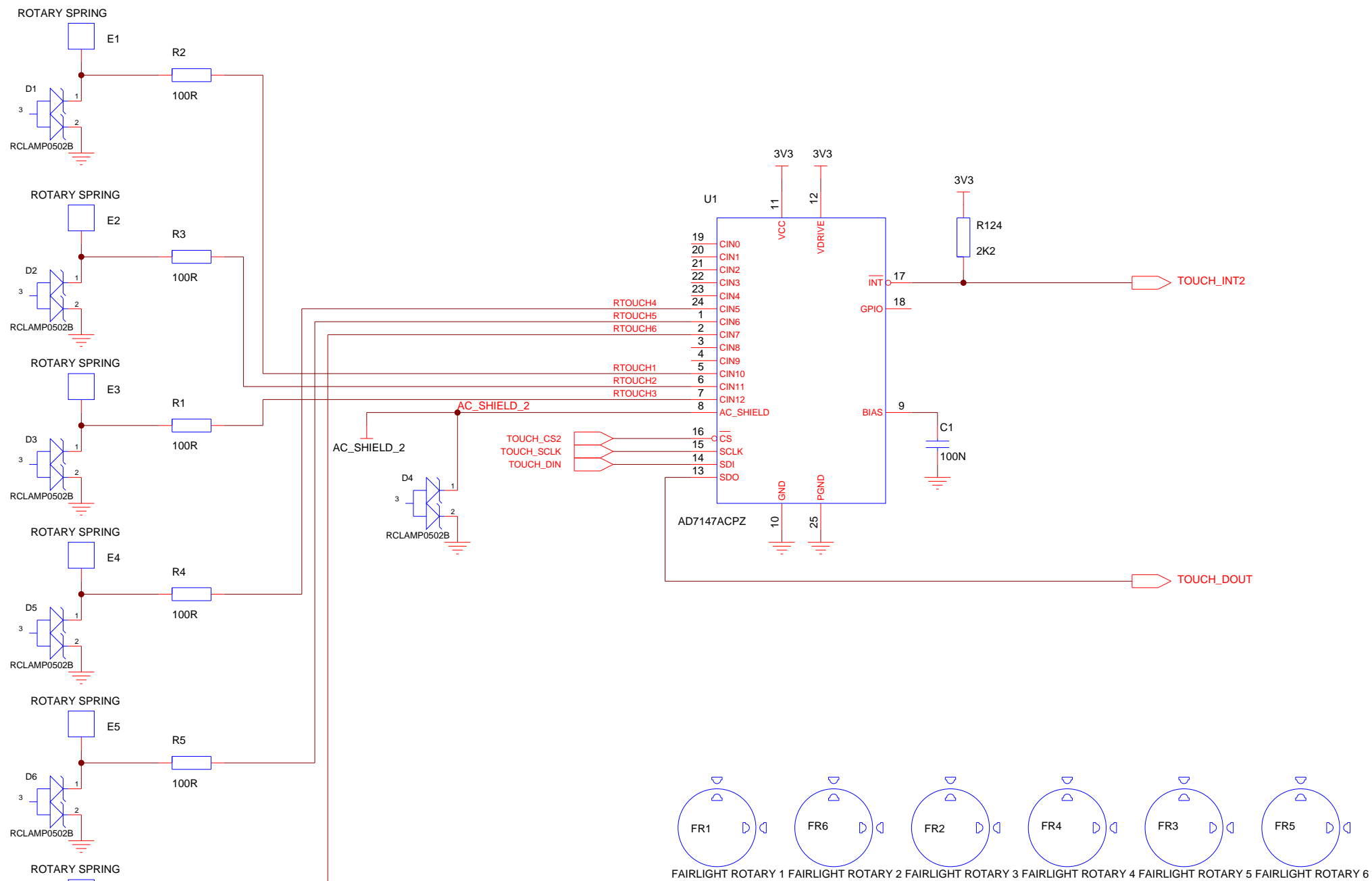
C


B

B

A

A



| | | | |
|---|---------------------------|---|-------------------------|
|  | | Fairlight AU Pty. Ltd. Unit 3, 15 Rodborough Rd Frenchs Forest, NSW, 2086, Australia | |
| | | ROTARYS | |
| SIZE A3 | DWG NO BMIX552C | REV C | TITLE ROTARYS |
| DRAWN BY RLS | SCALE | SHEET 2 of 2 | 3-21-2017_17:24 |

6

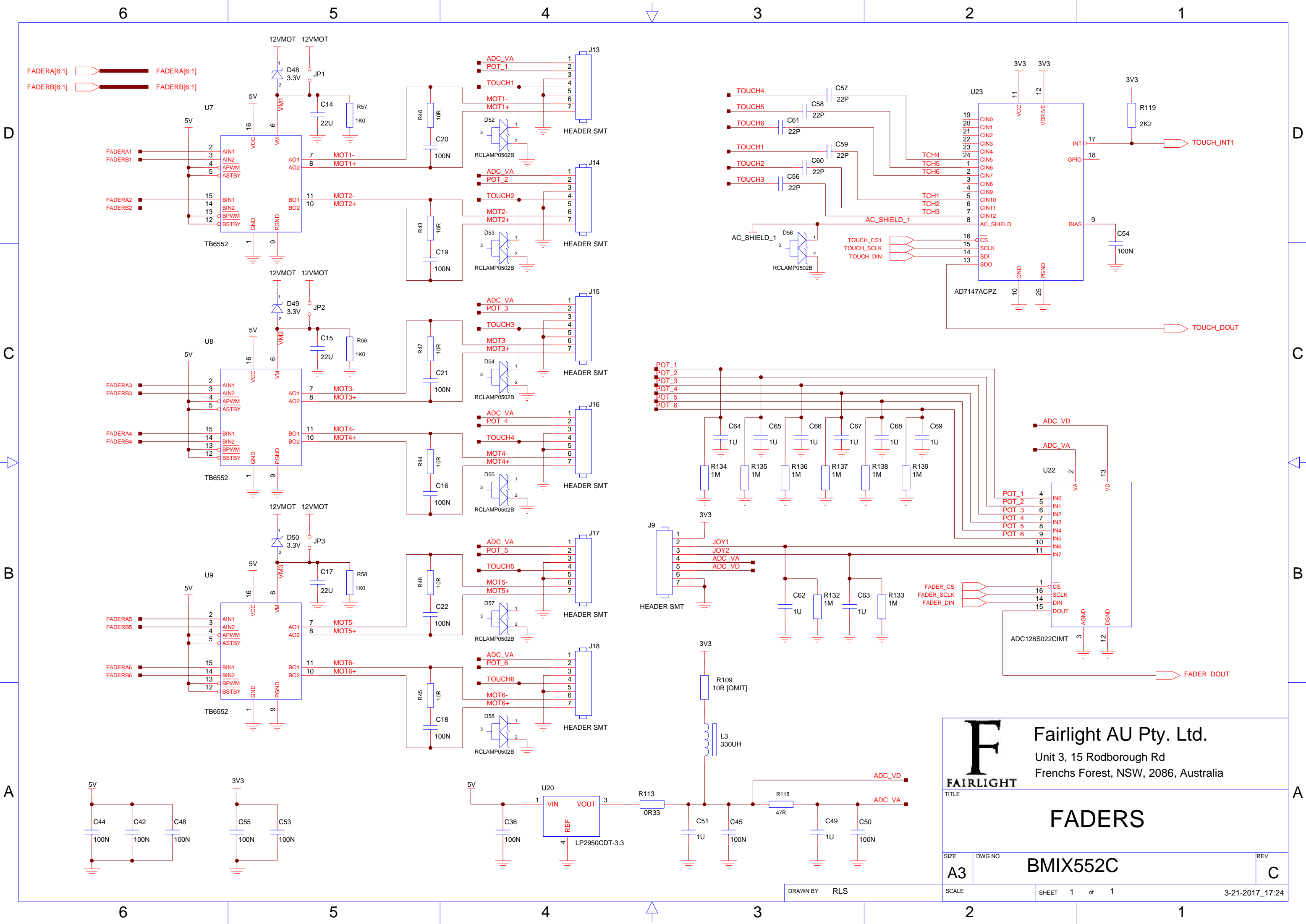
5

4

3

2

1



F Fairlight AU Pty. Ltd.
 Unit 3, 15 Rodborough Rd
 Frenchs Forest, NSW, 2086, Australia

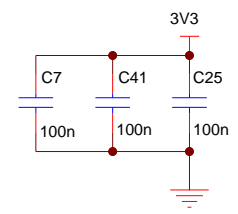
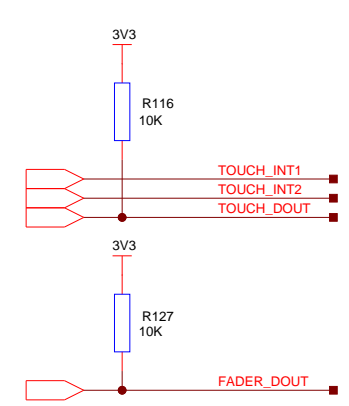
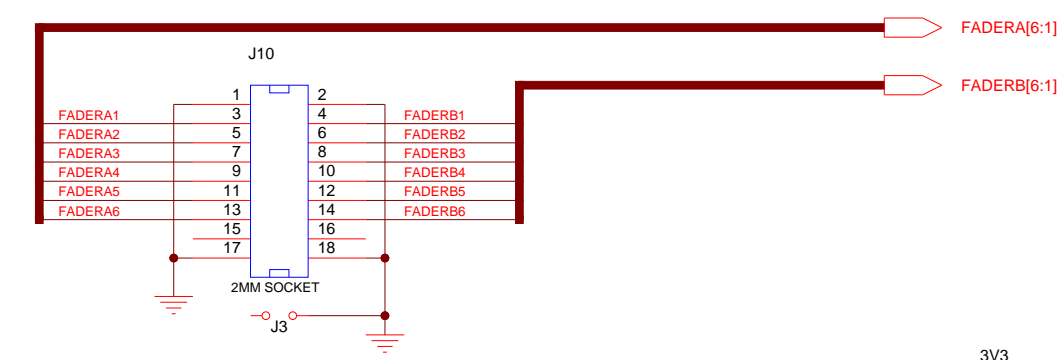
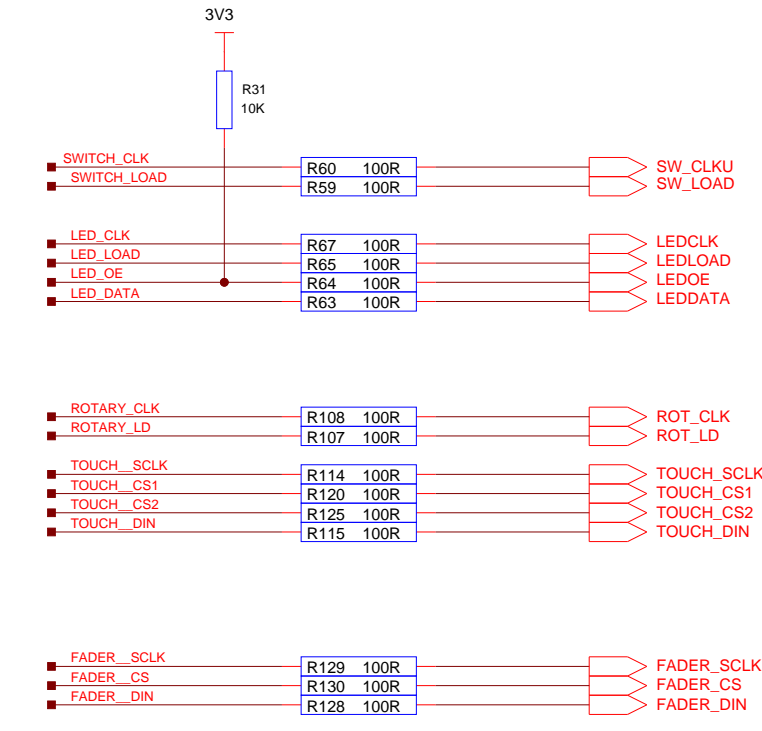
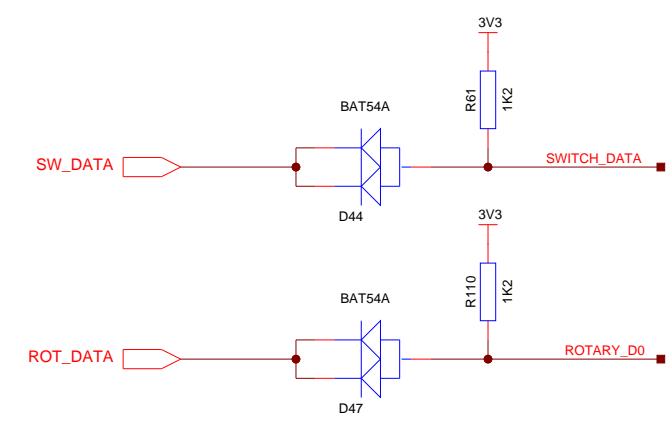
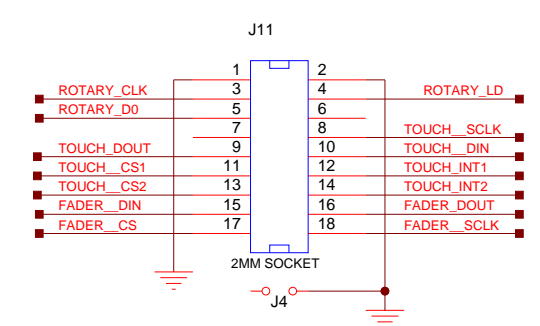
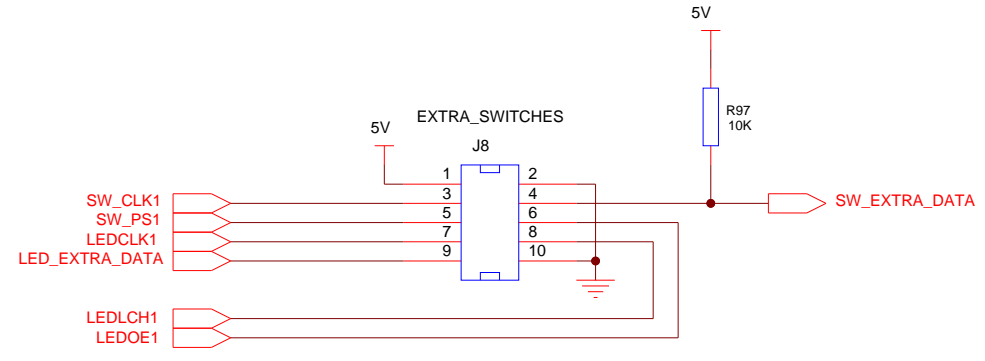
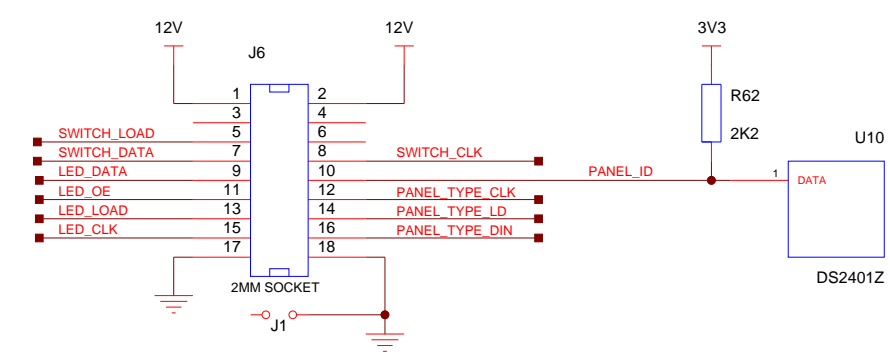
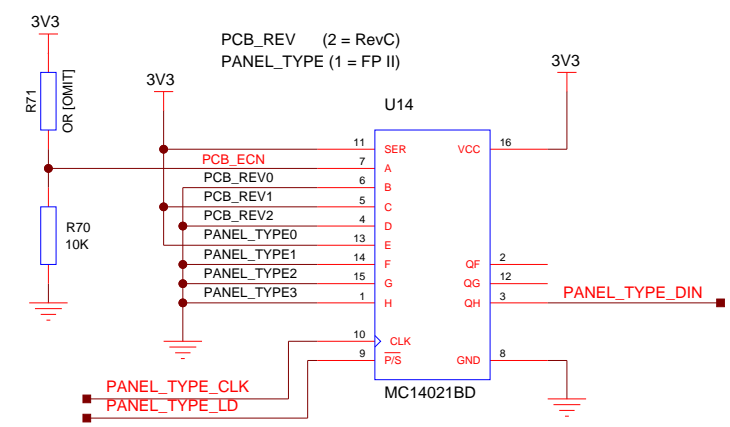
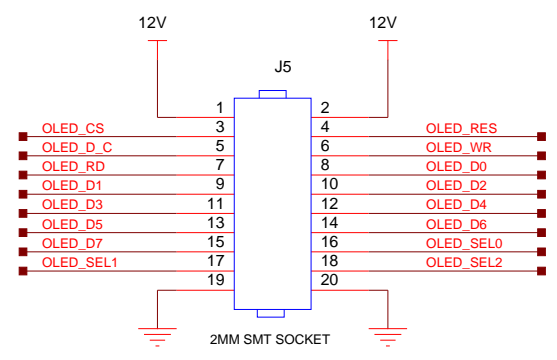
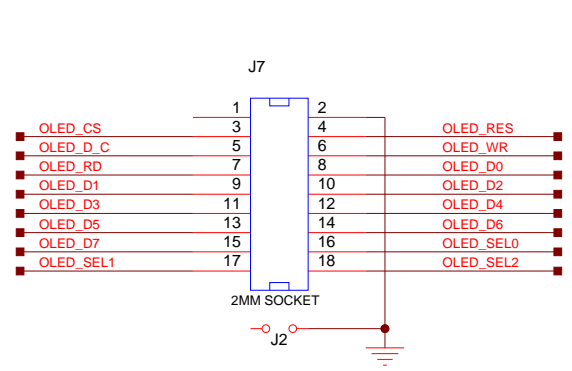
FADERS


BMIX552C

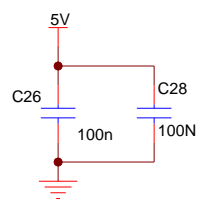
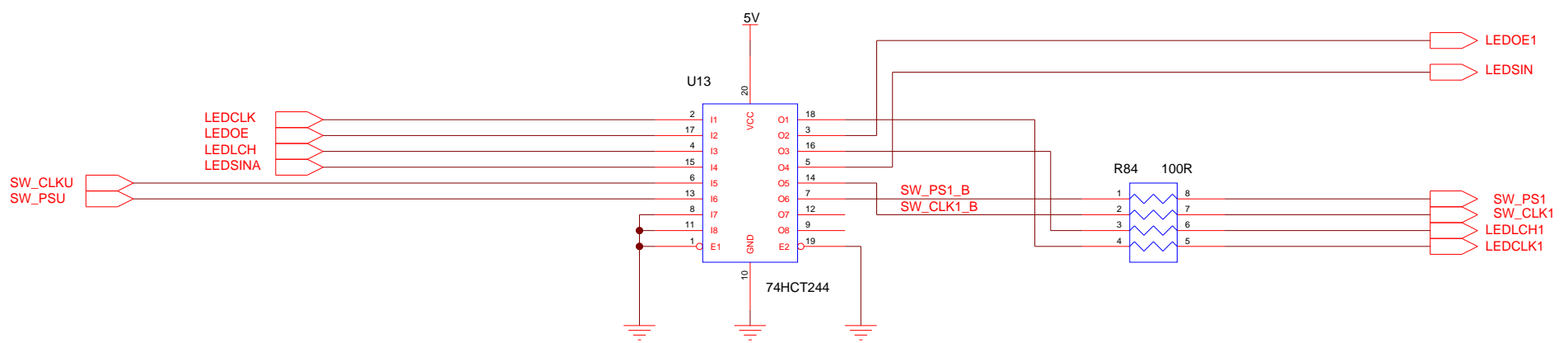
SIZE: A3 DWG NO: SCALE: SHEET 1 of 1 REV: C

DRAWN BY: RLS

3-21-2017_17:24



| | | | |
|---|---------------------------|-----------------|----------------------------------|
|  Fairlight AU Pty. Ltd. Unit 3, 15 Rodborough Rd Frenchs Forest, NSW, 2086, Australia | | | |
| | | | TITLE <h1>CPU3_INTERFACE</h1> |
| SIZE A3 | DWG NO BMIX552C | REV C | |
| DRAWN BY RLS | | SCALE | SHEET 1 of 1 |
| | | | 3-21-2017_17:24 |



| | | |
|------------------|--|-----------------|
| | Fairlight AU Pty. Ltd. | |
| | Unit 3, 15 Rodborough Rd Frenchs Forest, NSW, 2086, Australia | |
| <h1>BUFFERS</h1> | | |
| SIZE | DWG NO | REV |
| A3 | BMIX552C | C |
| SCALE | SHEET 1 of 1 | 3-21-2017_17:24 |

DRAWN BY RLS

6 5 4 3 2 1

6 5 4 3 2 1

D

D

C

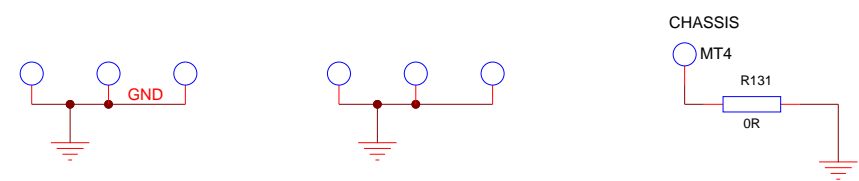
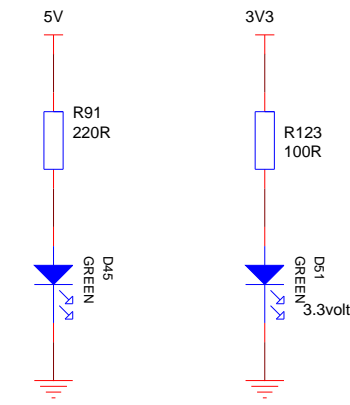
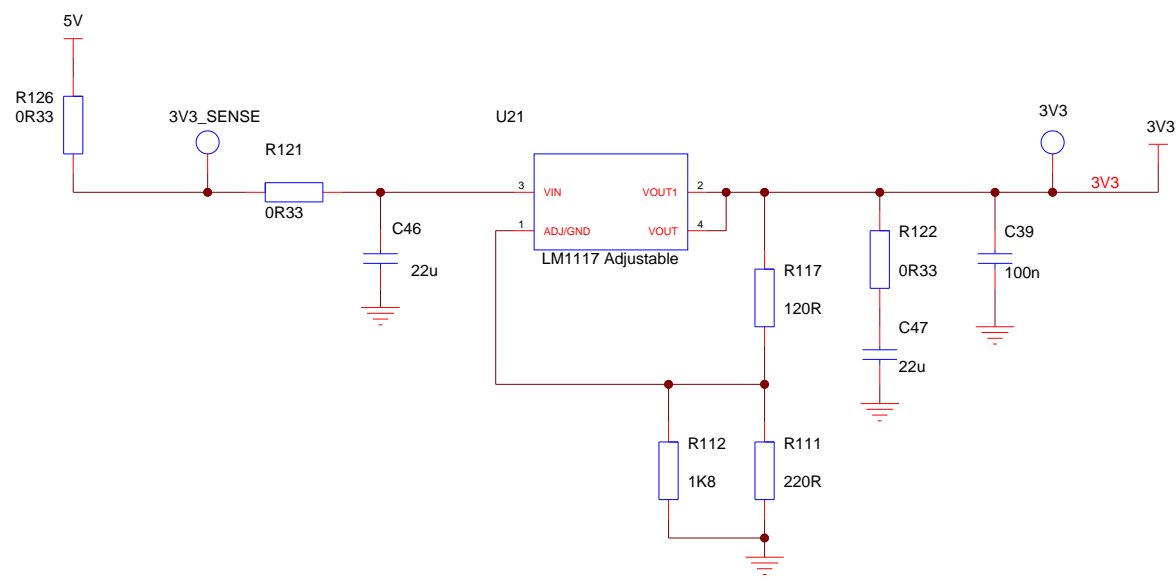
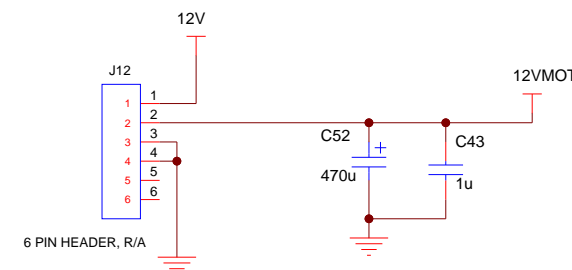
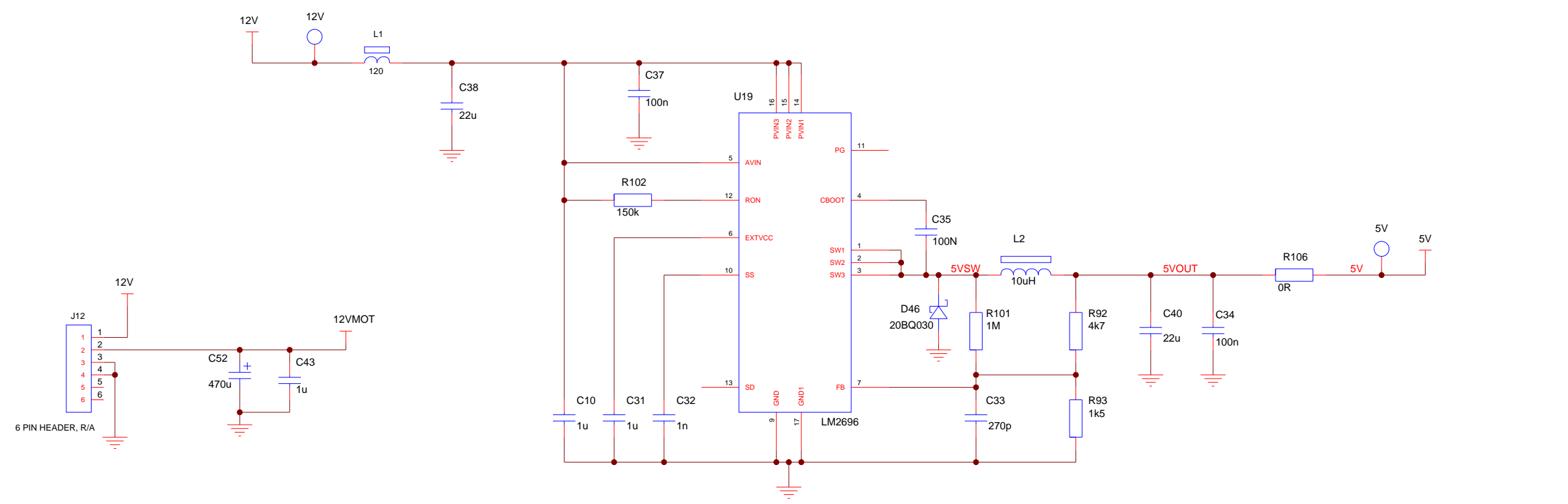
C

B

B


A

A



PCB BLANK MIX-DFP2
MECH

REVISION LABEL

| | | | |
|---|----------|-----------------|--------------|
|  Fairlight AU Pty. Ltd. Unit 3, 15 Rodborough Rd Frenchs Forest, NSW, 2086, Australia | | TITLE | |
| | | <h1>POWER</h1> | |
| SIZE | DWG NO | REV | |
| A3 | BMIX552C | C | |
| DRAWN BY RLS | | SCALE | SHEET 1 of 1 |
| | | 3-21-2017_17:58 | |